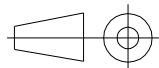
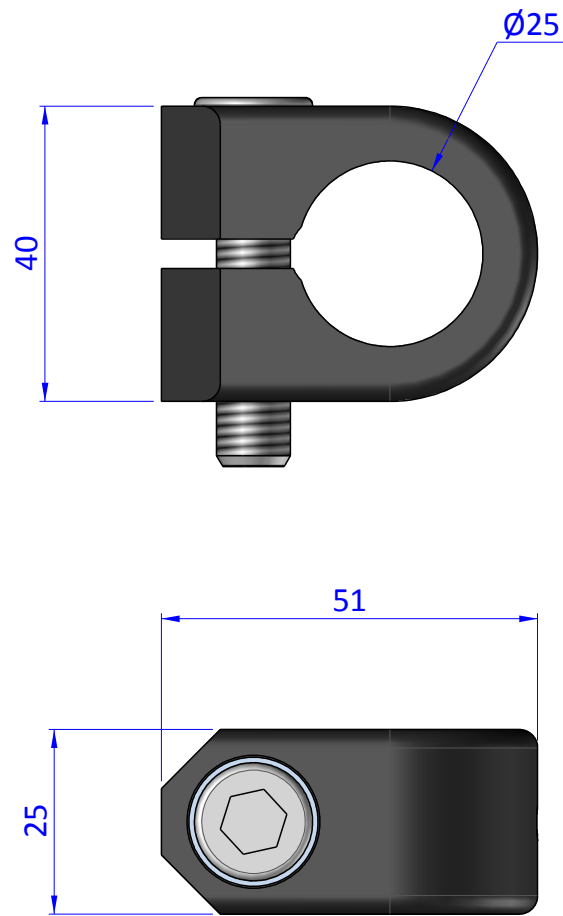
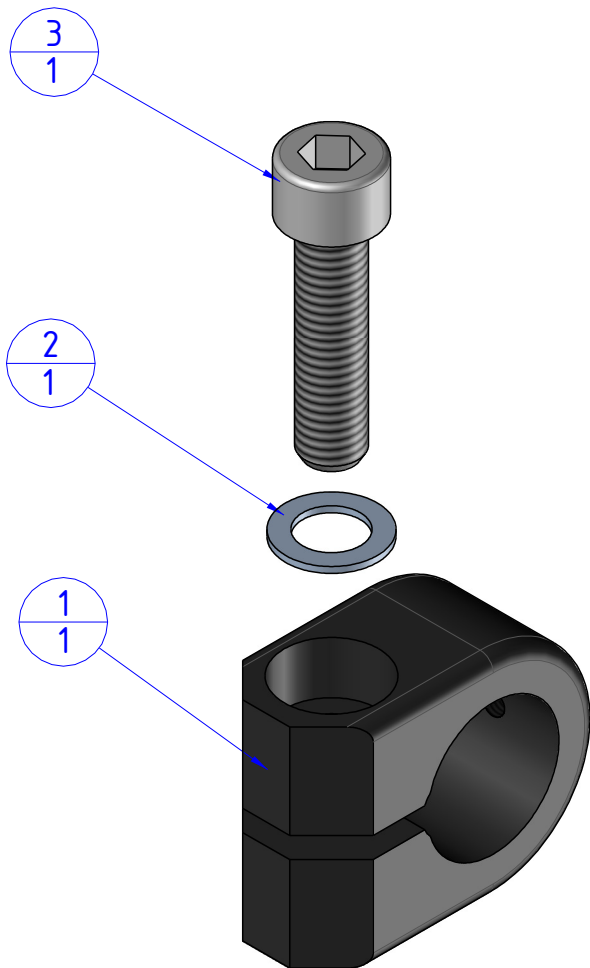


THE PROPERTY OF THE DRAWING IS ESTABLISHED BY LAW. IT IS FORBIDDEN TO PRODUCE OR SHOW IT TO THIRD PART. WITHOUT A WRITTEN AGREEMENT.

| Item | Name       | Q.ty |
|------|------------|------|
| 1    | HAR.25     | 1    |
| 2    | R.10.SCH   | 1    |
| 3    | V.TCE10x40 | 1    |



|                                    |  |                                     |                                    |                          |
|------------------------------------|--|-------------------------------------|------------------------------------|--------------------------|
| <b>Format</b> A4<br><br>UNI 936-76 | <b>GENERAL TOLERANCE</b><br>UNI - ISO 2768<br>CLASSE f | <b>DESCRIPTION</b><br><br>CA.HAR.25 | <b>DESIGNED FROM</b><br>FPSERVICES | <b>REVIEW</b><br>A       |
|                                    |  |                                     | <b>DATE</b><br>31/10/2018          | <b>WEIGHT</b><br>0,105kg |
|                                    |  |                                     | <b>CODE</b><br>CA.HAR.25           |                          |